

Lightem 4Ch CWDM Mux 1470-1610nm, duplex traffic 1 fiber, L3 module package

Lightem 4Ch CWDM Bidi Mux is designed to multiplex 8Ch CWDM (or 4Ch Full Duplex Traffic) 1470-1610nm duplex traffic into one fiber. It is designed to use with A&B Bidi Muxes together to realised 8Ch full duplex traffic over one fiber. It is packaged in a L3 module (Other package is available upon request); with our 19" 1U chassis (P/N: L19-3L3), a 1U rack space can accomodate up to 3 modules. Together with our CWDM Transceiver, the bandwidth of the fiber can be utilized in a cost effective way.

LCBMX-4A



LCBMX-4B

FEATURES

- Coarse WDM ITUT G.6924
- 1470-1610nm
- Based on thin film optics with epoxy free optical path
- Protocol transparent, support 1G, 10G, 100G etc
- Package in L3 modules with 9x LC ports
- 19" 1U Rackmount system supporting Max 3x L3 Modules
- Custom designed with optional features

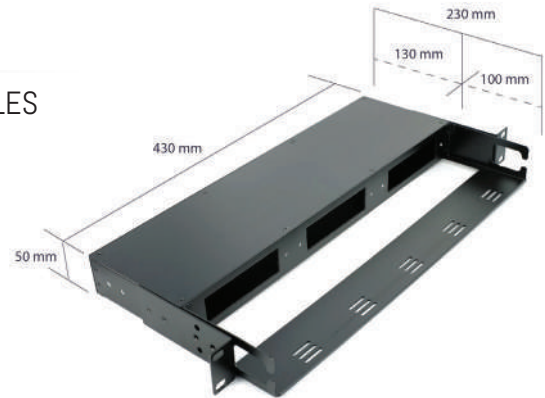
SPECIFICATIONS

| Parameter | Unit | Value |
|---|-------|-------------------|
| <i>Insertion loss IL</i> | dB | Max: 2.9 Typ: 2.6 |
| <i>Mux+Demux IL</i> | dB | Max: 4.1 Typ: 3.9 |
| <i>Center Wavelength</i> | nm | 1471-1611nm |
| <i>Channel Spacing</i> | nm | 20 |
| <i>Channel Flatness</i> | dB | < 0.4 |
| <i>Channel Bandwidth</i> | nm | +/- 6.5 |
| <i>Channel Uniformity</i> | dB | < 1.0 |
| <i>Adjacent channel isolation</i> | dB | > 30 |
| <i>Non adjacent channel isolation</i> | dB | > 40 |
| <i>Directivity</i> | dB | > 55 |
| <i>Return Loss</i> | dB | > 50 |
| <i>PDL</i> | dB | < 0.15 |
| <i>PMD</i> | ps | < 0.1 |
| <i>Wavelength thermal stability</i> | nm/°C | < 0.003 |
| <i>Insertion Loss thermal stability</i> | nm/°C | < 0.005 |
| <i>Power Handling</i> | mW | < 500 |
| <i>Operating temperature</i> | °C | 0 ~ +70 |
| <i>Storage temperature</i> | °C | -40 ~ +85 |
| <i>Packaging</i> | | L3 Module |
| <i>Dimension</i> | mm | 29 x 130 x 160 |

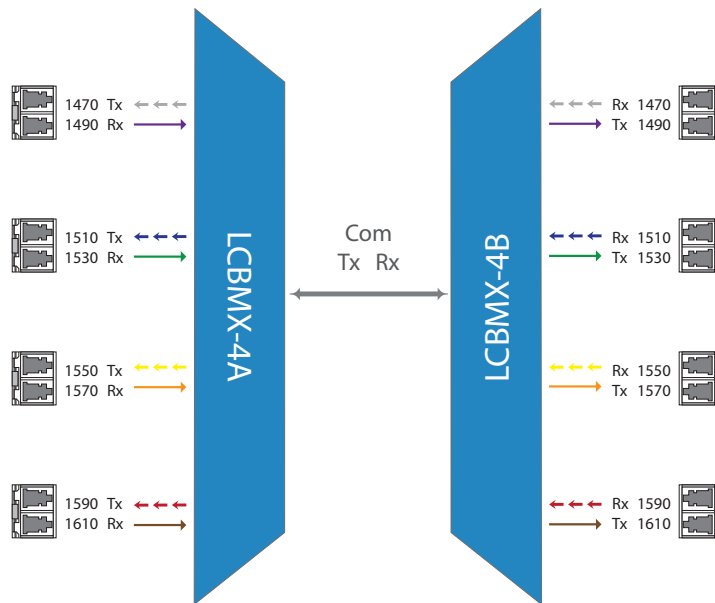
TELECOM/DATACOM SYSTEM

ACCESSORY - L191U-3S

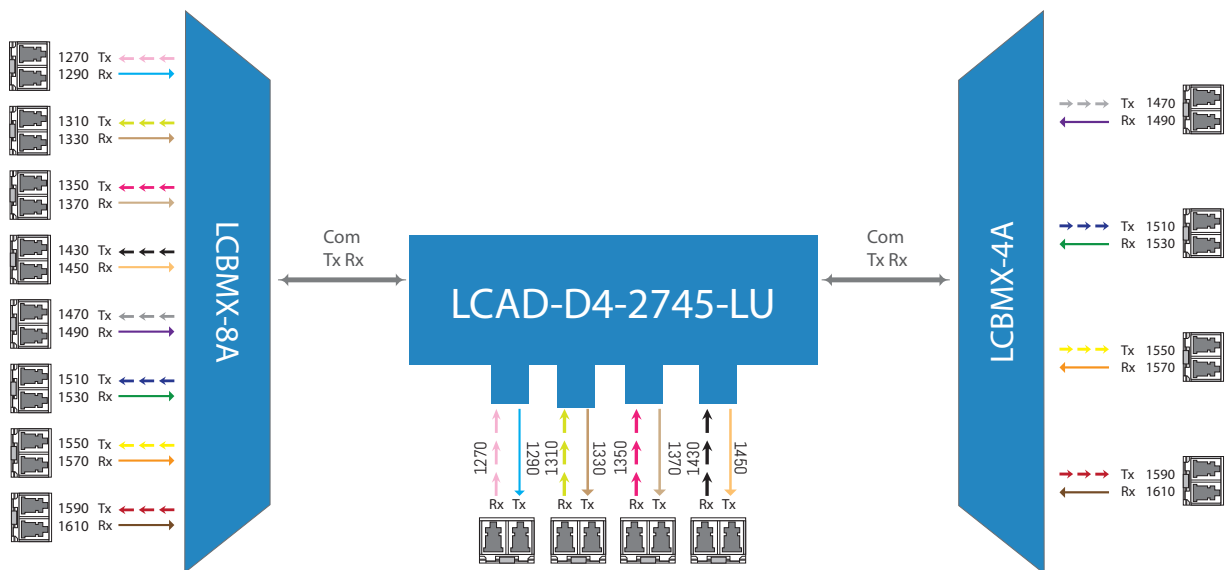
LIGHTEM 19" 1U RACKMOUNT CHASSIS, SUPPORT MAX 3X L3 MODULES



FUNCTIONAL DIAGRAM



APPLICATION DIAGRAM



ORDERING INFORMATION

*customized configuration is available upon request

| P/N | Description |
|-----------|---|
| LCBMX-4A* | Lightem 4Ch CWDM Mux 1470-1610nm, duplex traffic 1 fiber L3 module package - A Side |
| LCBMX-4B* | Lightem 4Ch CWDM Mux 1470-1610nm, duplex traffic 1 fiber L3 module package - B Side |
| Accessory | |
| L191U-3S | LIGHTEM 19" 1U Rackmount Chassis, support max 3x L3 modules |